

PAN 12



Type: Floor Station - 3 sided
Wood - Maple
Proprietary Safety Hooks
Wipe Location 1 - Sani-Wipe HB

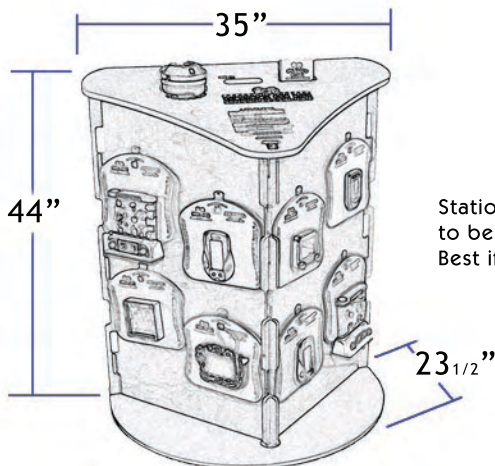
Games/Toys: 12 games/toys mounted to proprietary
lap play boards
Toys have sound disabled and no loose pieces

Program: Station Rental
Monthly Toy Exchange
Supply of wipes
ToyTracer ID inspection & records keeping of
all toys and games in system
Warranty covering breakage and theft

Price: \$1,926.00 annually
or \$169.00 monthly

Usage: Ideal for large waiting rooms and showrooms.

The PAN 12 is the choice of Floyd Medical Center, Children's Hospital of Westerville, IQ Credit Union & Lone Star Chevrolet.



Station Placement: Station needs
to be approachable from all 3 sides.
Best if placed on carpet.

